

Rupert-R5

R5 J - R5 SS - R5 InLine

RUPERT™

Main Data:

Length O.A: 5.20 m
Width: 2.50 m
*Weight w engine: 700 kg
Fuel Capacity: 100 L

HP Range:

Min HP: 75 HP
Max HP: 90 HP

Speed Range:

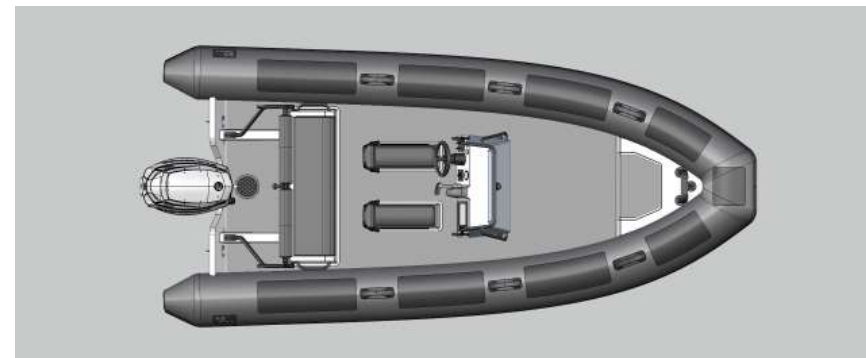
75 HP 33 - 35 kn
90HP 35 - 38 kn

CE Class: C

* Depending on engine brand and modell

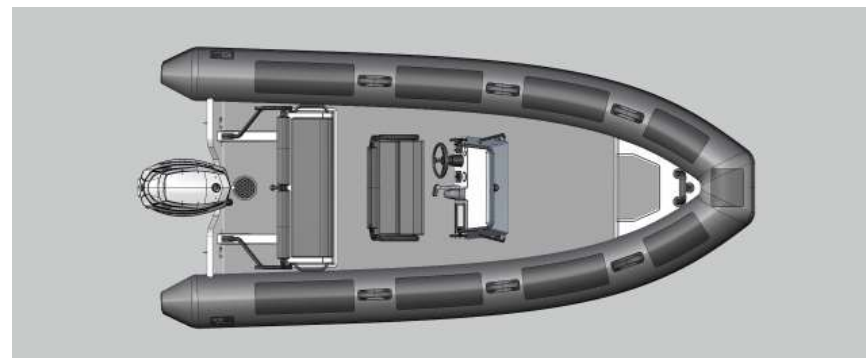
R5 J

Jockey Seats
No. of seats: 5



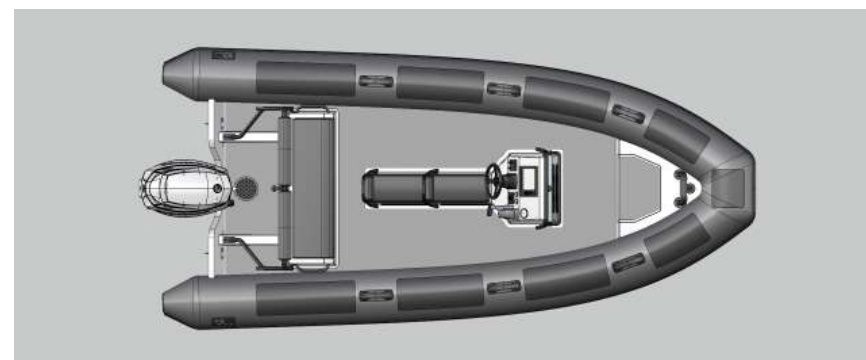
R5 SS

Single stand/sit sofa
No. of seats: 5



R5 InLine

In-line jockey console
No. of seats: 5



RUPERT™

Rupert Marine International AB
www.rupertmarine.com

+46 8 522 209 00
info@rupertmarine.com

Copyright © Rupert Marine International AB 2020

Standard Equipment R5

General:

Hydraulic steering, Baystar
Top mounted shift control
LED Nav lights
Heavy Duty aft cleats
Bow bollard
Winch eye
Class 3 U-bolt, bow
Transom U-bolts
Self drained deck
Watersport rope eye
Under deck fueltank, stainless steel 316
Anti slide deck
Railings, stainless steel 316, powder coated
Generous stowage areas
All stowage areas are ventilated
Bowlocker
Aft sofa with backrest
Cushion for aft sofa
Docklines
*All cushion in Sunbrella

* Jockey cushion in vinyl.

Standard Equipment

Tube:

Hypalon/Neoprene, ORCA
Five compartments
Hi pressure release valves
Heavy Duty D-fender

Electric System:

AGM Battery
12V DC Outlet
Two pole battery main switch
Two pole electric switches

Safety:

Manual bilge pump
Fire extinguisher
Tube repair kit

Extra Equipment

General:

Glove compartment w 12V DC & USB
Drink holder
Covers for steering console and seats
Peli case 1620
Lifting eyes

Tube:

Fabric Impression tube (texture)
(Military Grey is std)

Colouring:

Coloured hull and interior
(White and Rupert-Grey are std)

RUPERT™

Rupert Marine International AB
www.rupertmarine.com

+46 8 522 209 00
info@rupertmarine.com

Copyright © Rupert Marine International AB 2020