

# Rupert-R6

R6 J - R6 SS - R6 InLine

# RUPERT™

## Main Data:

Length O.A: 6.20 m  
Width: 2.55 m  
\*Weight w engine: 1000 kg  
Fuel Capacity: 120 L

## HP Range:

Min HP: 115 HP  
Max HP: 150 HP

## Speed Range:

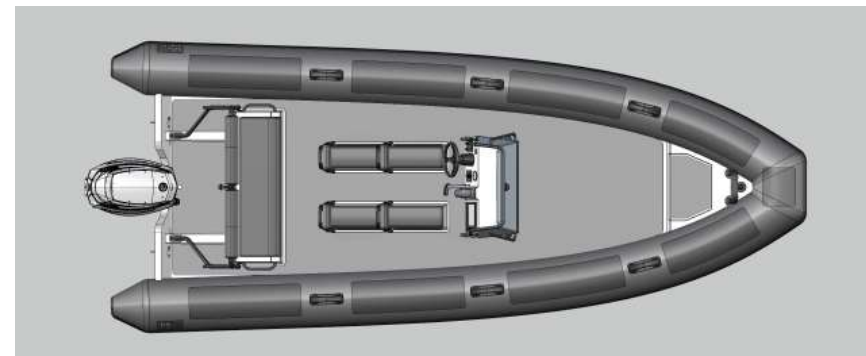
115 HP 35 - 38 kn  
150 HP 42 - 45 kn

CE Class: C

\* Depending on engine brand and modell

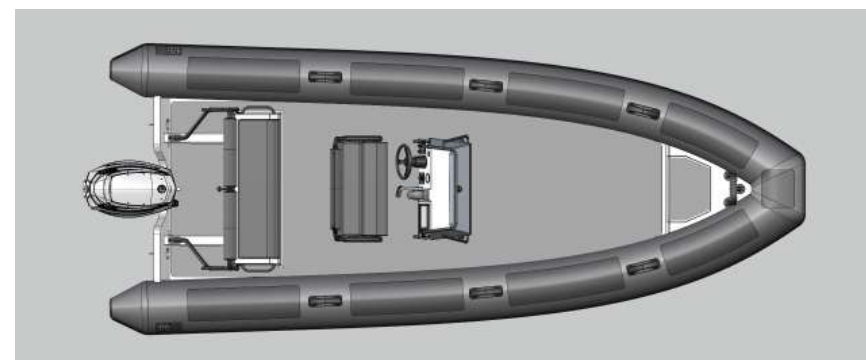
## R6 J

Jockey Seats  
No. of seats: 7



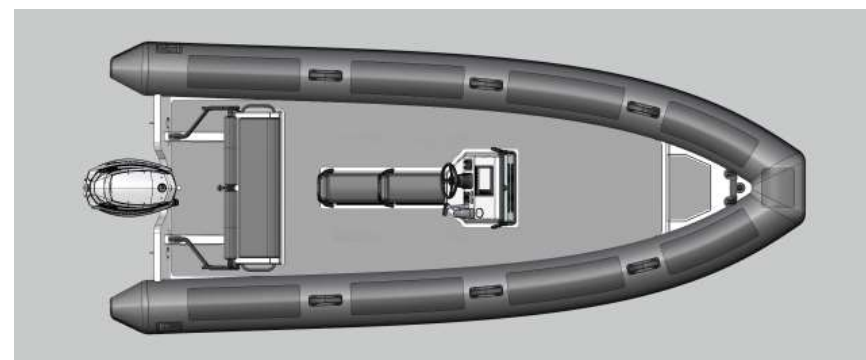
## R6 SS

Single stand/sit sofa  
No. of seats: 5



## R6 InLine

In-line jockey console  
No. of seats: 5



**RUPERT™**

Rupert Marine International AB  
www.rupertmarine.com

+46 8 522 209 00  
info@rupertmarine.com

Copyright © Rupert Marine International AB 2020

## Standard Equipment R6

### General:

Hydraulic steering, Baystar or \*SeaStar  
Top mounted shift control  
LED Nav lights  
Heavy Duty aft cleats  
Bow bollard  
Winch eye  
Class 3 U-bolt, bow  
Transom U-bolts  
Self drained deck  
Watersport rope eye  
Under deck fueltank, stainless steel 316  
Anti slide deck  
Railings, stainless steel 316, powder coated  
Generous stowage areas  
All stowage areas are ventilated  
Bowlocker  
Aft sofa with backrest  
Cushion for aft sofa  
Docklines  
\*\*All cushion in Sunbrella

\* SeaStar with 150 HP

\*\* Jockey cushion in vinyl.

## Standard Equipment

### Tube:

Hypalon/Neoprene, ORCA  
Five compartments  
Hi pressure release valves  
Heavy Duty D-fender

### Electric System:

AGM Battery  
12V DC Outlet  
Two pole battery main switch  
Two pole electric switches

### Safety:

Manual bilge pump  
Fire extinguisher  
Tube repair kit

## Extra Equipment

### General:

Glove compartment w 12V DC & USB  
Drink holder  
Covers for steering console and seats  
Peli case 1620  
Lifting eyes

### Tube:

Fabric Impression tube (texture)  
(Military Grey is std)

### Colouring:

Coloured hull and interior  
(White and Rupert-Grey are std)

**RUPERT™**

Rupert Marine International AB  
www.rupertmarine.com

+46 8 522 209 00  
info@rupertmarine.com

Copyright © Rupert Marine International AB 2020